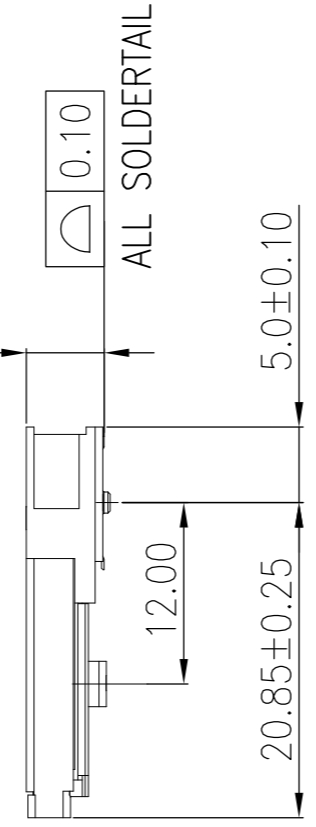
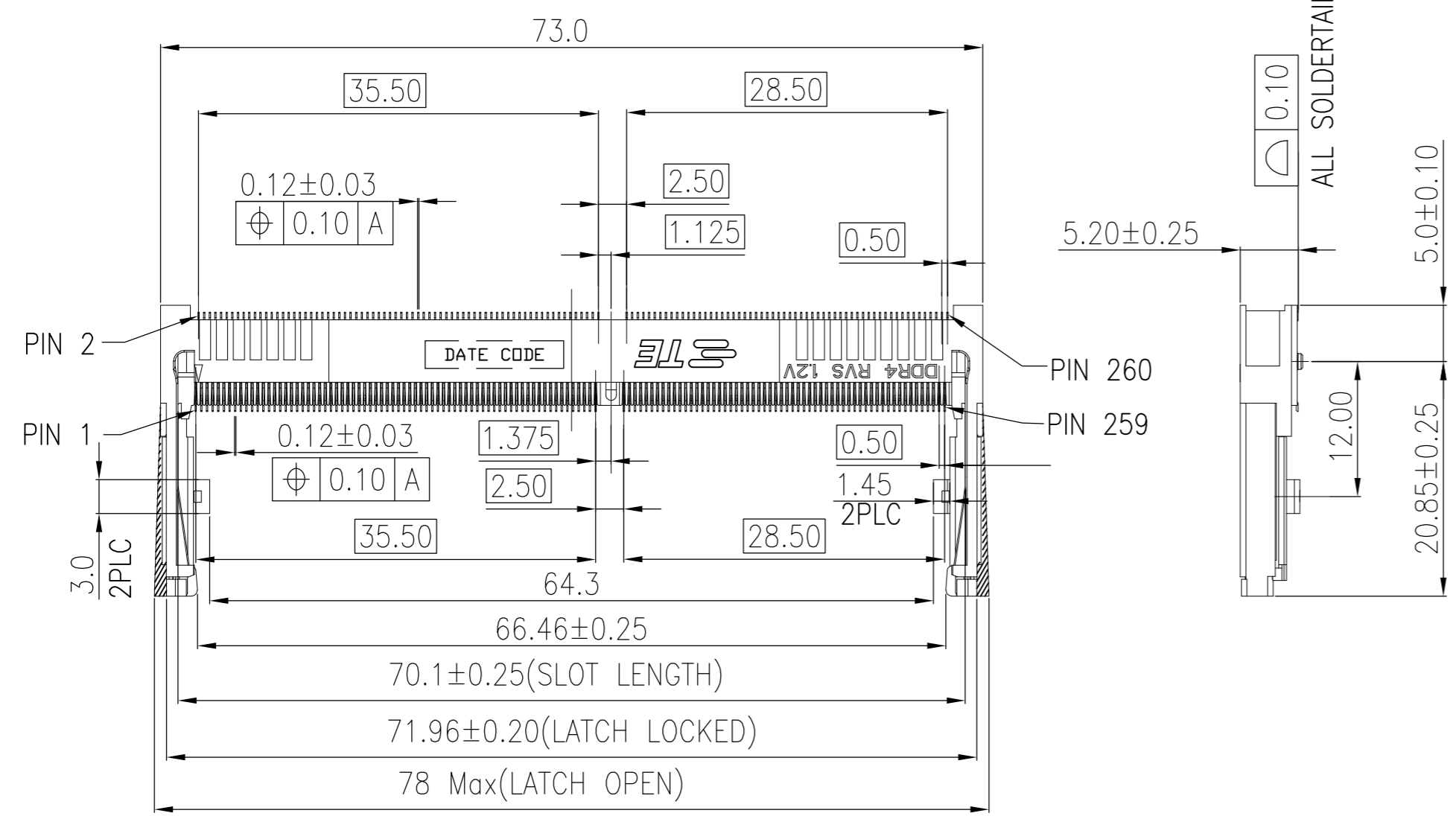
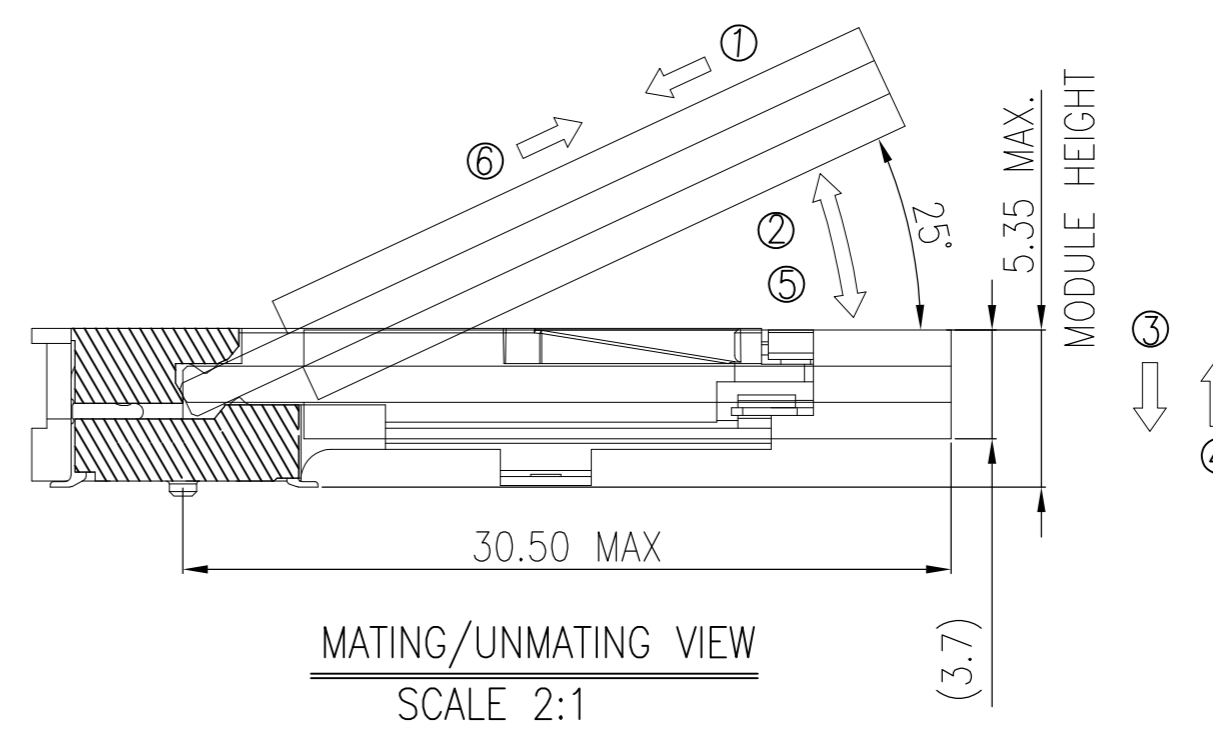
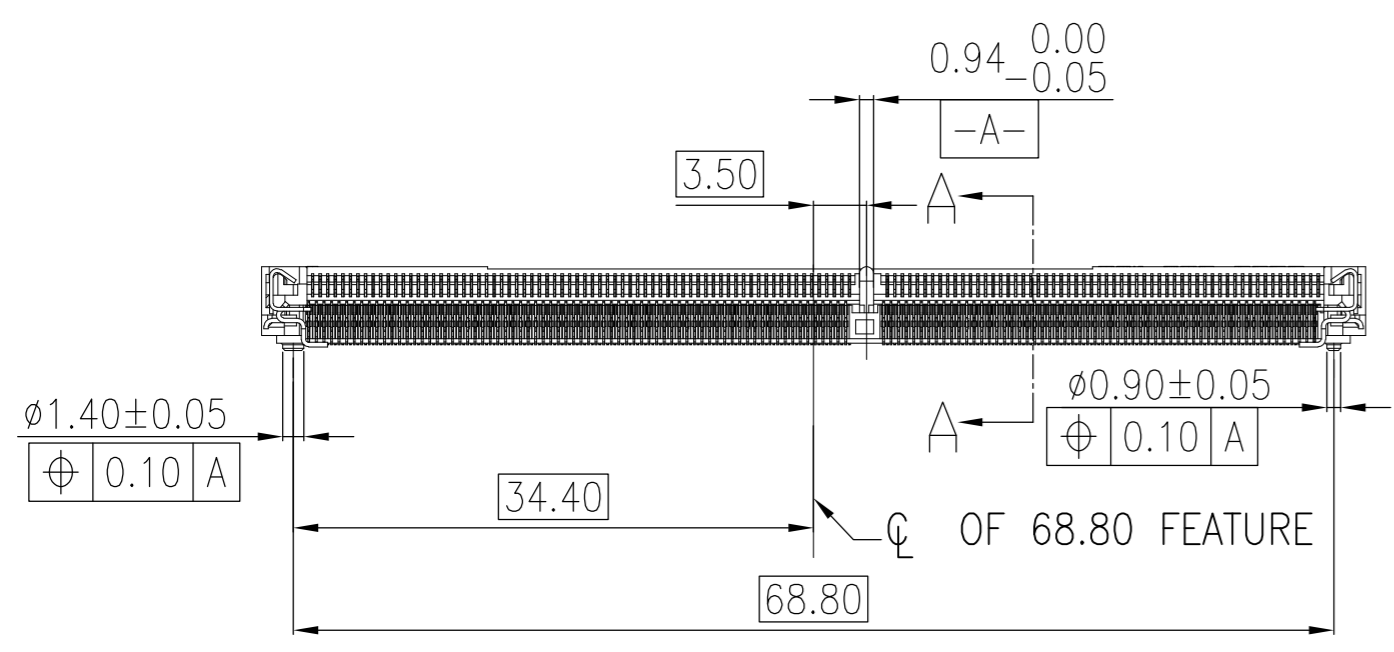


THIS DRAWING IS UNPUBLISHED. RELEASED FOR PUBLICATION
 © COPYRIGHT 2016 TE connectivity ALL RIGHTS RESERVED.

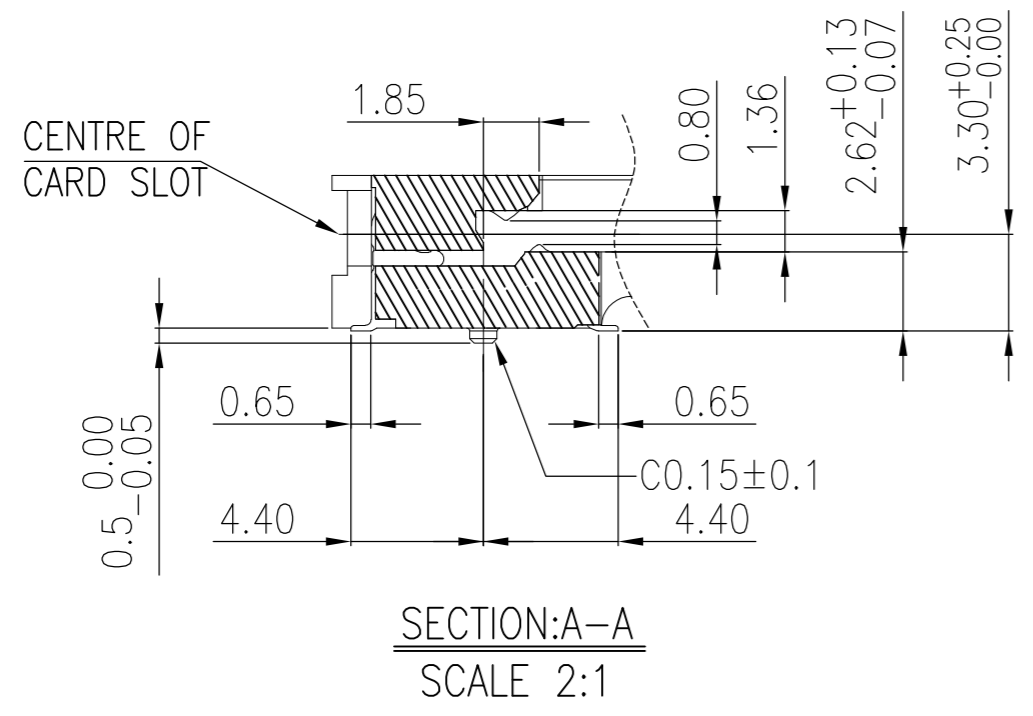
REVISIONS					
P	LTR	DESCRIPTION	DATE	DWN	APVD
4		REVISED	10OCT2017	D.Z	S.L



- NOTES:
- MATERIAL:
 - HOUSING: HIGH TEMPERATURE THERMO PLASTIC,UL94V-0,COLOR:BLACK.
 - CONTACT: COPPER ALLOY.
 - SOLDER PEG AND LATCH:STAINLESS STEEL.
 - FINISH:
 - SOLDER PEG: GOLD FLASH ON 50u" MIN NICKEL UNDERPLATED ALL OVER.
 - CONTACT SOLDER AREA: GOLD FLASH ON SOLDER TAIL.
 - CONTACT AREA: GOLD FLASH ON 50u" MIN NICKEL UNDERPLATED ALL OVER.
 - CONTACT AREA: 5u" ON 50u" MIN NICKEL UNDERPLATED ALL OVER.
 - CONTACT AREA: 10u" ON 50u" MIN NICKEL UNDERPLATED ALL OVER.
 - CONTACT AREA: 15u" ON 50u" MIN NICKEL UNDERPLATED ALL OVER.
 - CONTACT AREA: 30u" ON 50u" MIN NICKEL UNDERPLATED ALL OVER.
 - COPLANARITY: 0.10 MAX. (BEFORE SOLDERING)



MATING: ① INSERTING(25°) → ② ROTATING → ③ FIXED
 UNMATING: ④ UNFIXED → ⑤ ROTATING → ⑥ WITHDRAWING



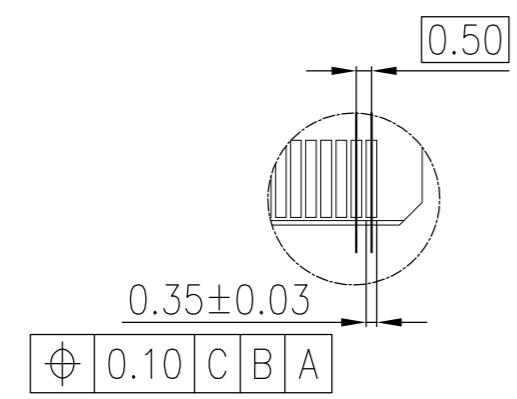
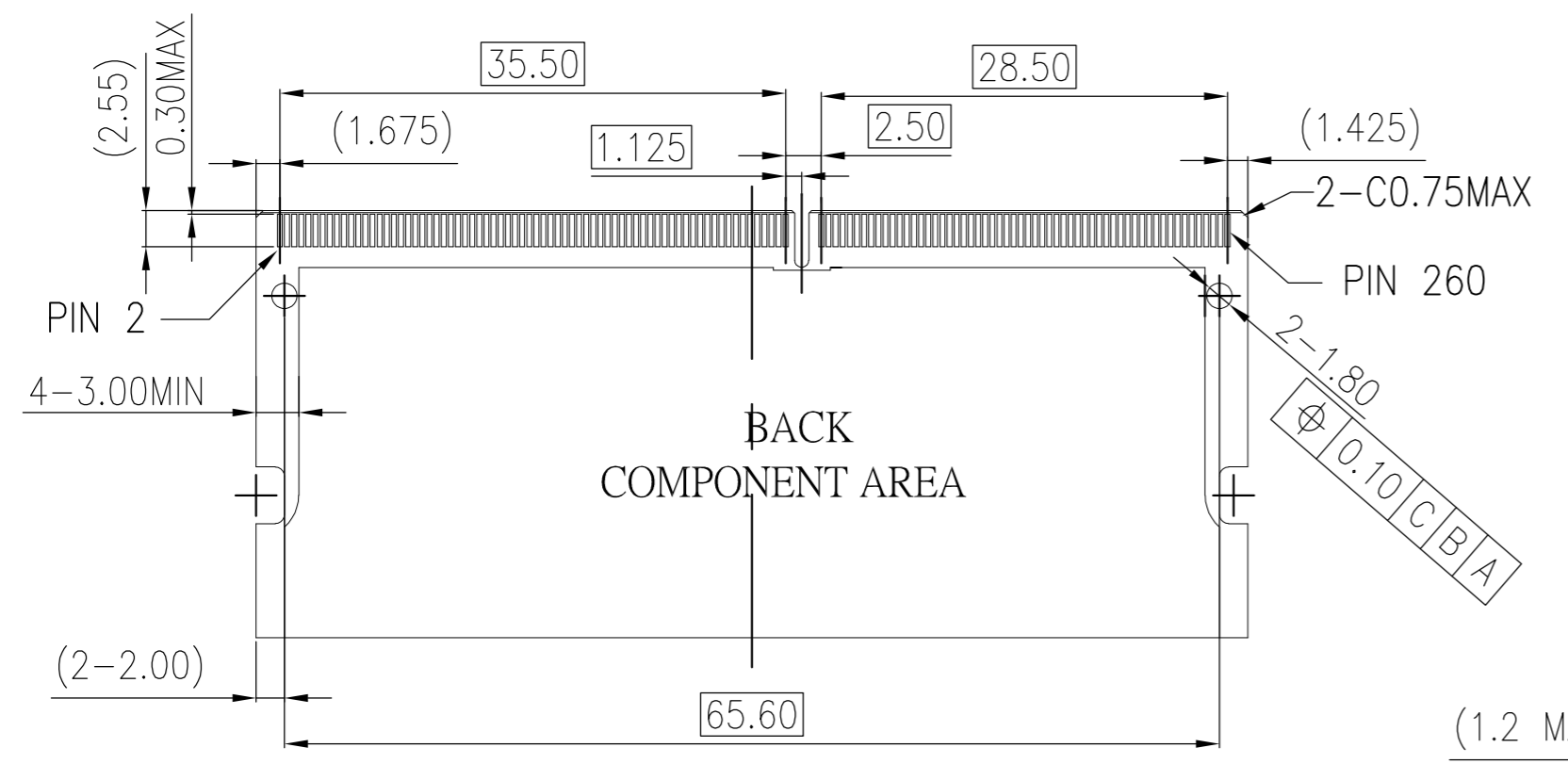
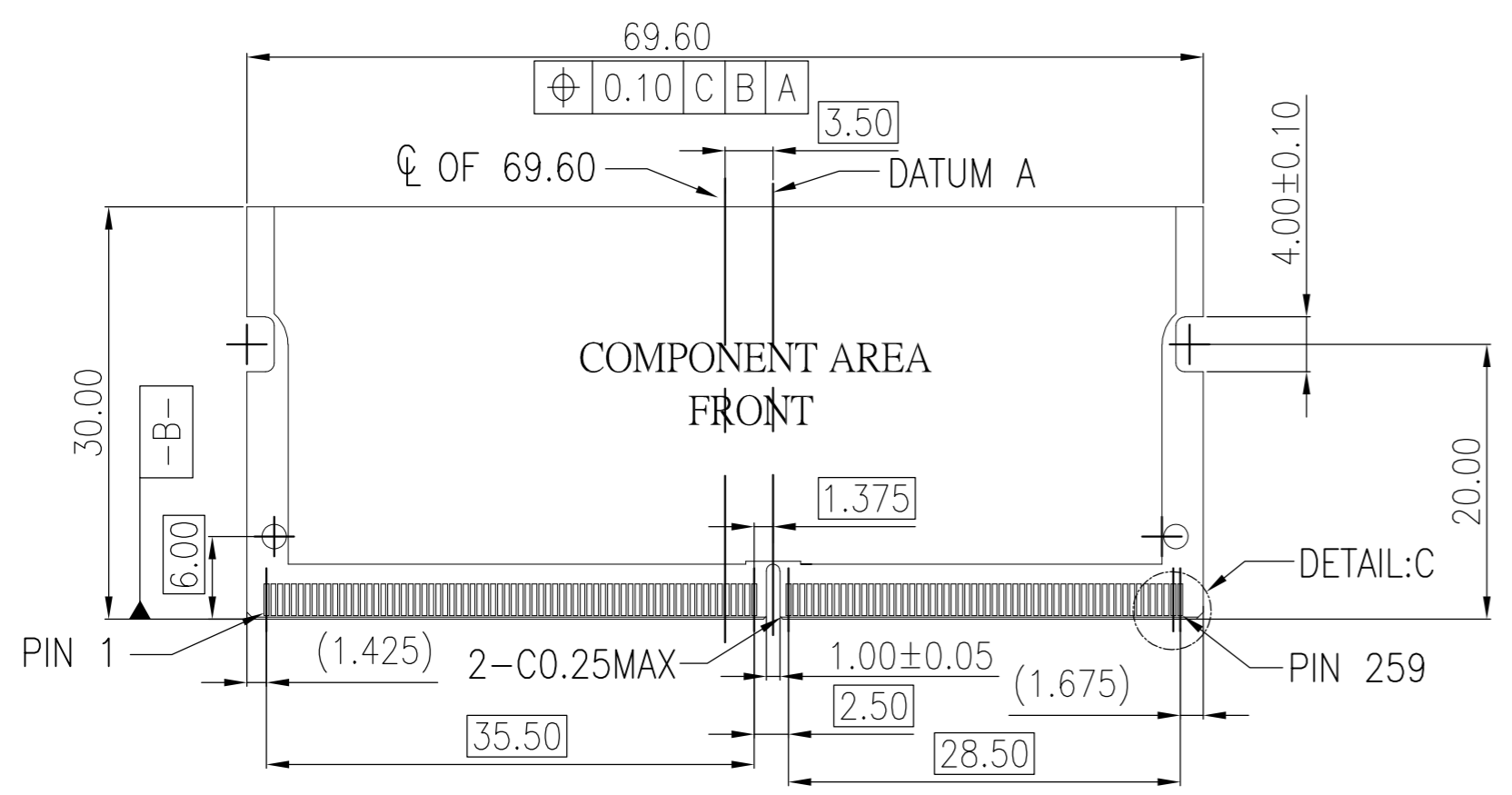
SECTION:A-A
SCALE 2:1

TAPE&REEL	BLACK	1.2V	30u"	260	2309410-5
TAPE&REEL	BLACK	1.2V	15u"	260	2309410-4
TAPE&REEL	BLACK	1.2V	10u"	260	2309410-3
TAPE&REEL	BLACK	1.2V	5u"	260	2309410-2
TAPE&REEL	BLACK	1.2V	GF	260	2309410-1
PACKING TYPE	HOUSING COLOR	POWER SUPPLY	FINISH	POS	PART NO.

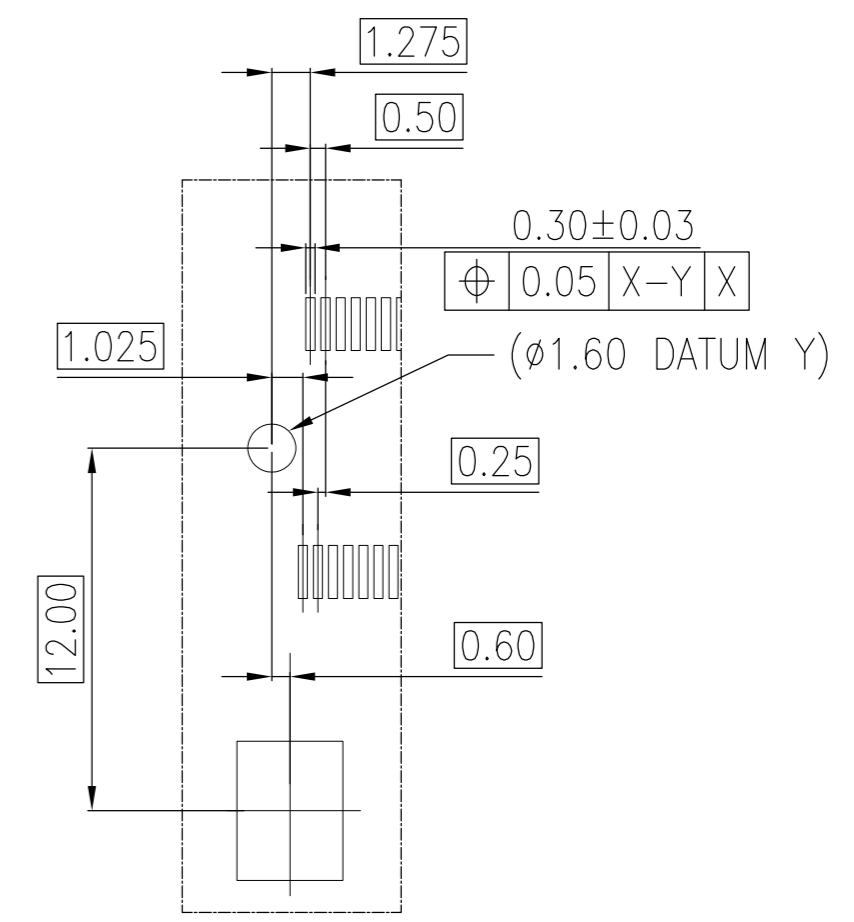
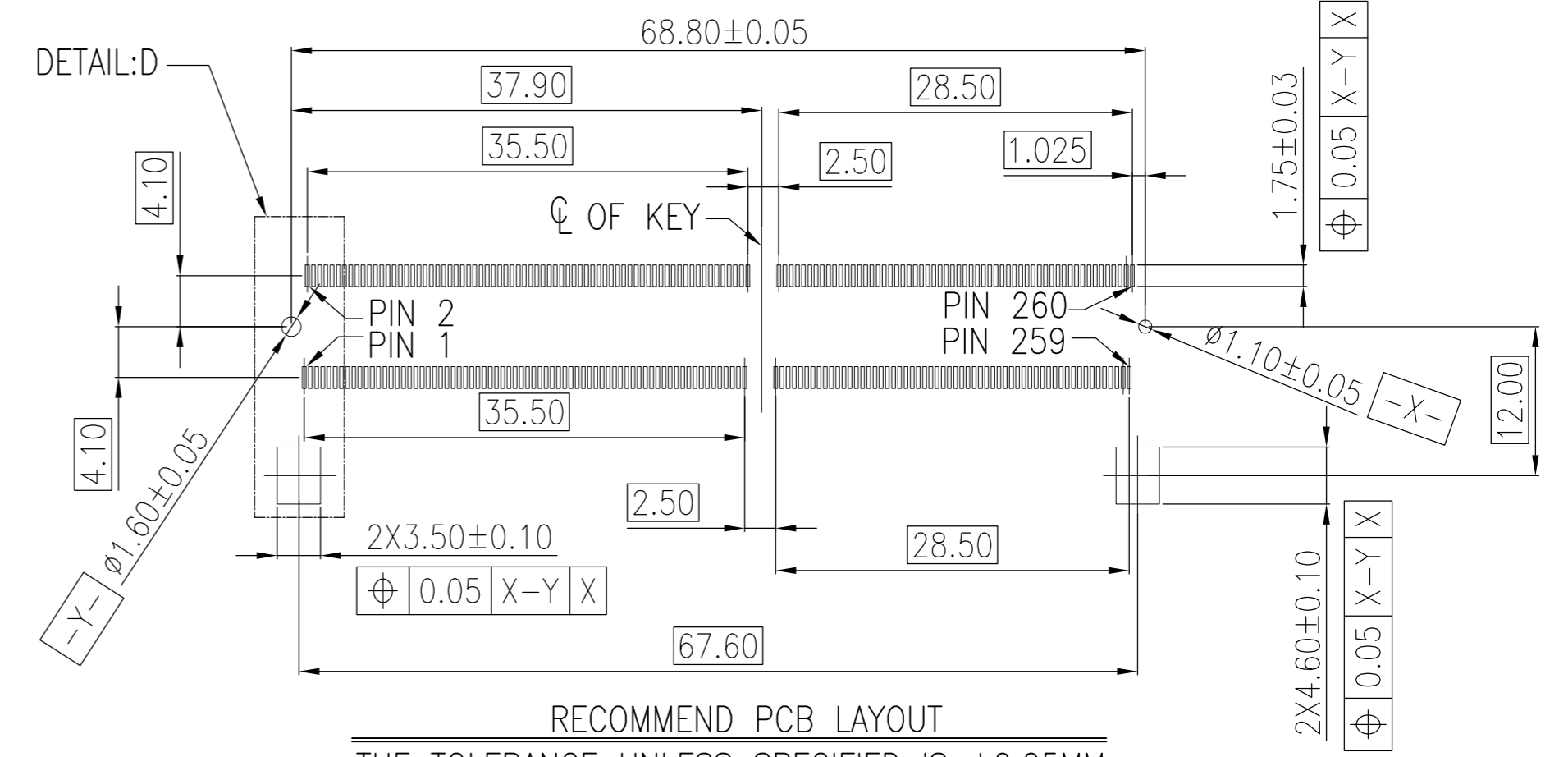
THIS DRAWING IS A CONTROLLED DOCUMENT.		DWN DAVID ZHAO 09SEP2016			
DIMENSIONS: mm		CHK RICHARD MA 09SEP2016			
TOLERANCES UNLESS OTHERWISE SPECIFIED:		APVD SIMON LI 09SEP2016	NAME		
0 PLC ± -		PRODUCT SPEC	DDR4 SODIMM SOCKET		
1 PLC ± 0.25		APPLICATION SPEC	0.5mm PITCH 260POS		
2 PLC ± 0.15			5.2mm HEIGHT REVERSE TYPE		
3 PLC ± 0.10			SIZE	CAGE CODE	DRAWING NO
4 PLC ± -			A2	00779	C=2309410
ANGLES ± -			RESTRICTED TO		
FINISH		WEIGHT	-		
MATERIAL		CUSTOMER DRAWING	SCALE	SHEET	REV
			1:1	1 of 3	4

THIS DRAWING IS UNPUBLISHED. RELEASED FOR PUBLICATION
 © COPYRIGHT - By - ALL RIGHTS RESERVED.

REVISIONS					
P	LTR	DESCRIPTION	DATE	DWN	APVD
-	-		-	-	-



DETAIL:C
 SCALE 2:1

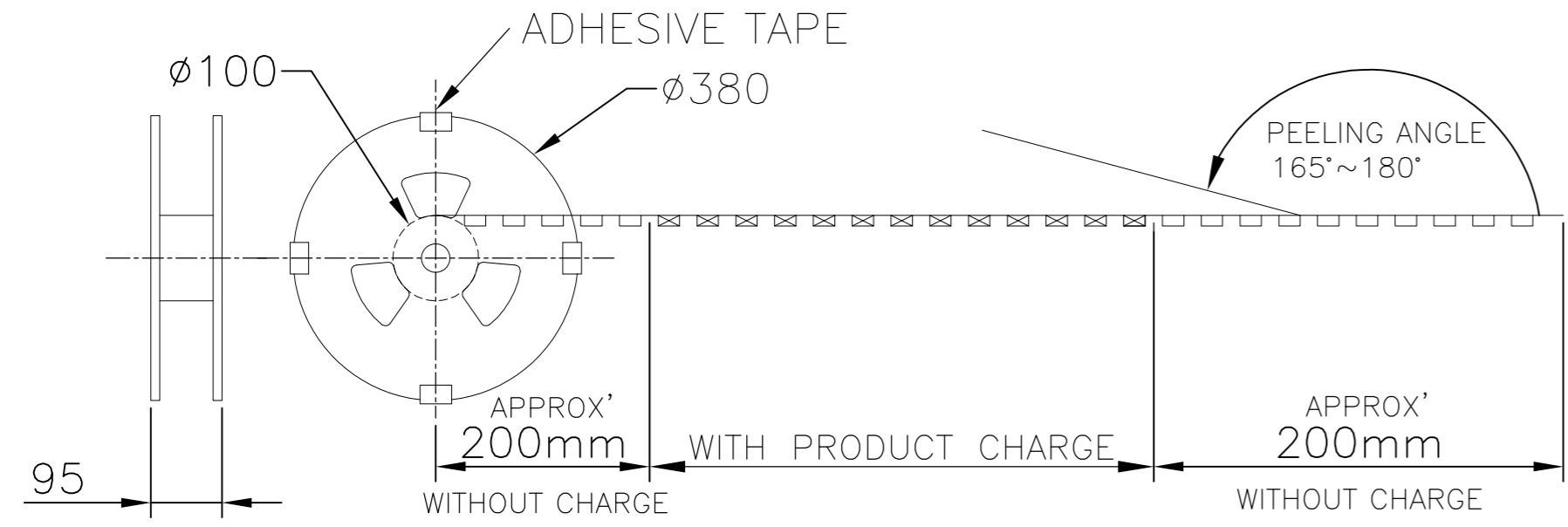


DETAIL:D
 SCALE 2:1

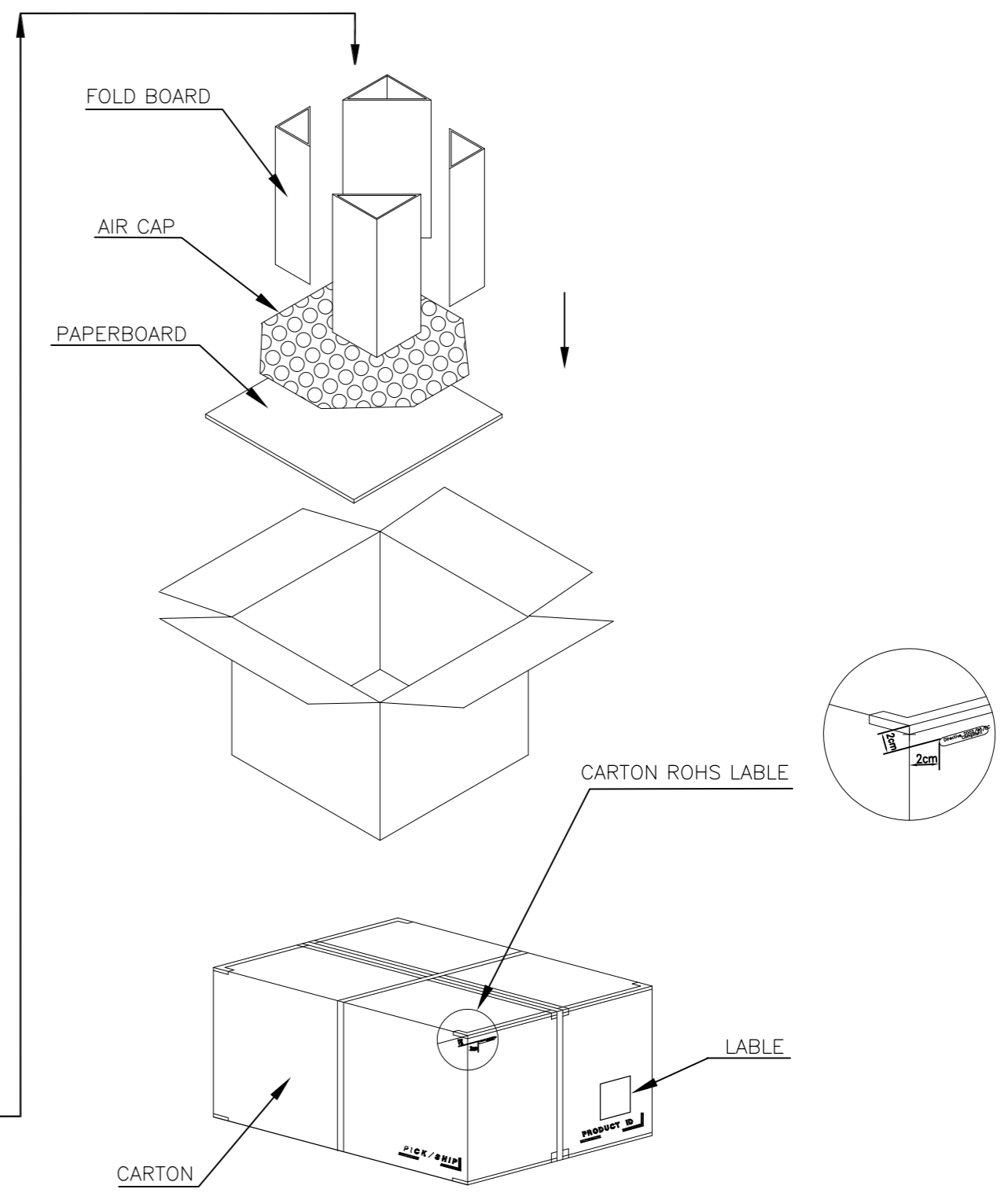
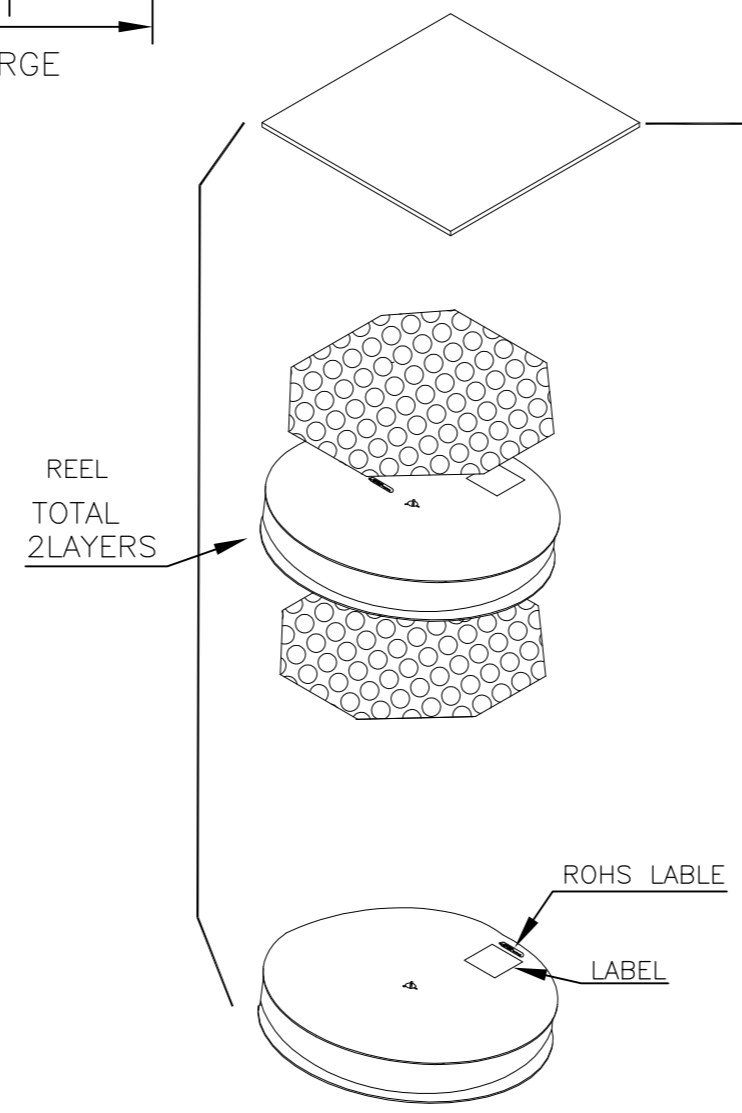
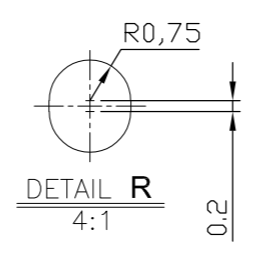
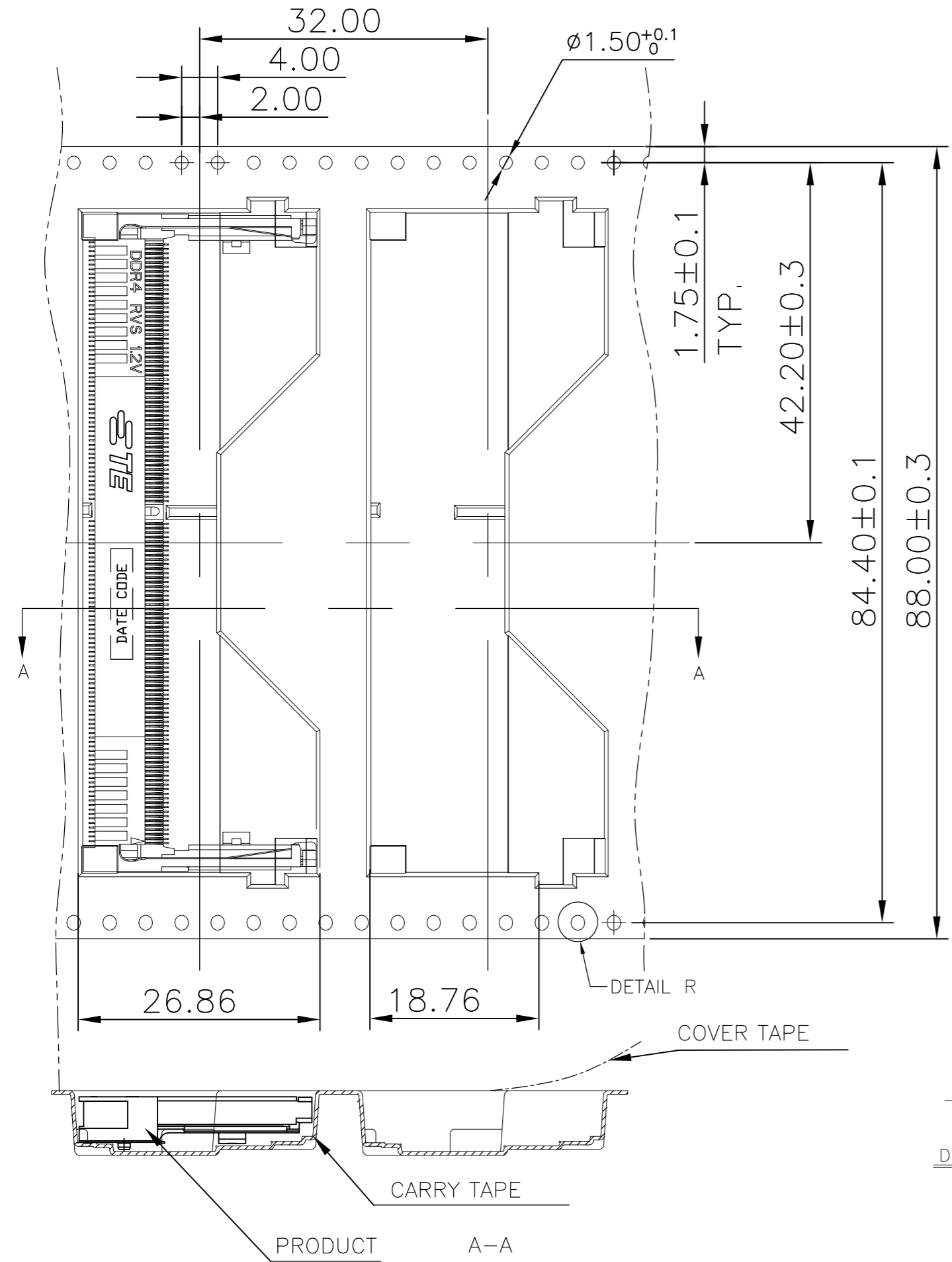
THIS DRAWING IS A CONTROLLED DOCUMENT.		DWN DAVID ZHAO 09SEP2016	 TE Connectivity DDR4 SODIMM SOCKET 0.5mm PITCH 260POS 5.2mm HEIGHT REVERSE TYPE	SIZE	CAGE CODE	DRAWING NO	RESTRICTED TO
DIMENSIONS:	TOLERANCES UNLESS OTHERWISE SPECIFIED	CHK RICHARD MA 09SEP2016		A2	00779	C=2309410	-
mm	0 PLC ± 1 PLC ±- 2 PLC ±- 3 PLC ±- 4 PLC ±- ANGLES ±-	APVD SIMON LI 09SEP2016		SCALE	1:1	SHEET	2 OF 3
MATERIAL	FINISH	PRODUCT SPEC		CUSTOMER DRAWING	REV	4	

THIS DRAWING IS UNPUBLISHED. RELEASED FOR PUBLICATION
 © COPYRIGHT - By - ALL RIGHTS RESERVED.

REVISIONS				
P	LTR	DESCRIPTION	DATE	APVD
-	-	-	-	-



PULL OUT DIRECTION →



400	2	800	*-2309410-*
PCS/ REEL	REEL/ CARTON	PCS/ CARTON	PART NUMBER

THIS DRAWING IS A CONTROLLED DOCUMENT.		DWN DAVID ZHAO 09SEP2016	TE Connectivity	
DIMENSIONS: mm		CHK RICHARD MA 09SEP2016	NAME	
TOLERANCES UNLESS OTHERWISE SPECIFIED		APVD SIMON LI 09SEP2016	DDR4 SODIMM SOCKET	
0 PLC ±		PRODUCT SPEC	0.5mm PITCH 260POS	
1 PLC ± -		APPLICATION SPEC	5.2mm HEIGHT REVERSE TYPE	
2 PLC ± -		WEIGHT	SIZE A2	CAGE CODE 00779
3 PLC ± -		CUSTOMER DRAWING	DRAWING NO C=2309410	RESTRICTED TO -
4 PLC ± -		SCALE -	SHEET 3 of 3	REV 4
ANGLES ± -				
FINISH				