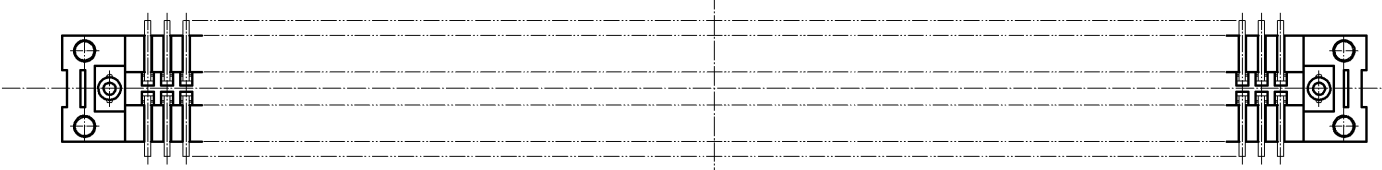
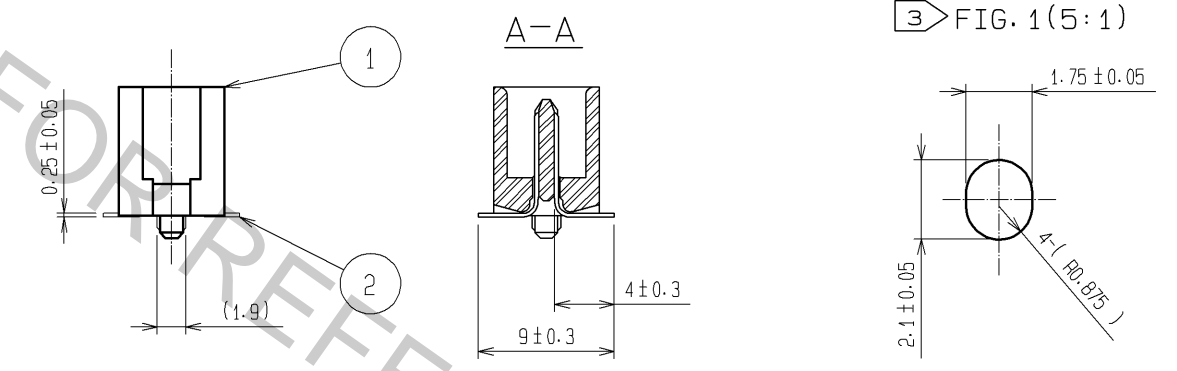
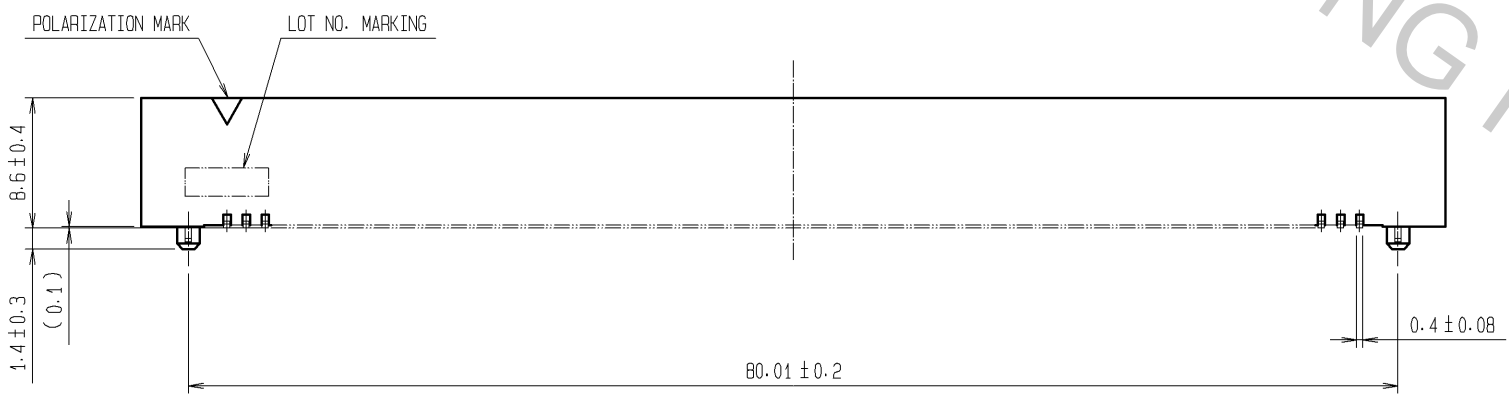
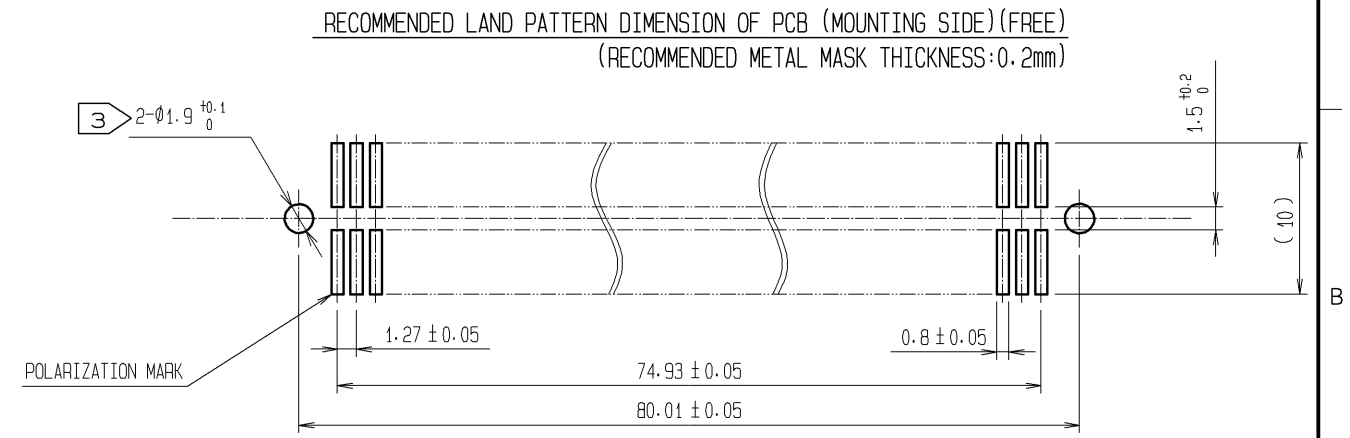
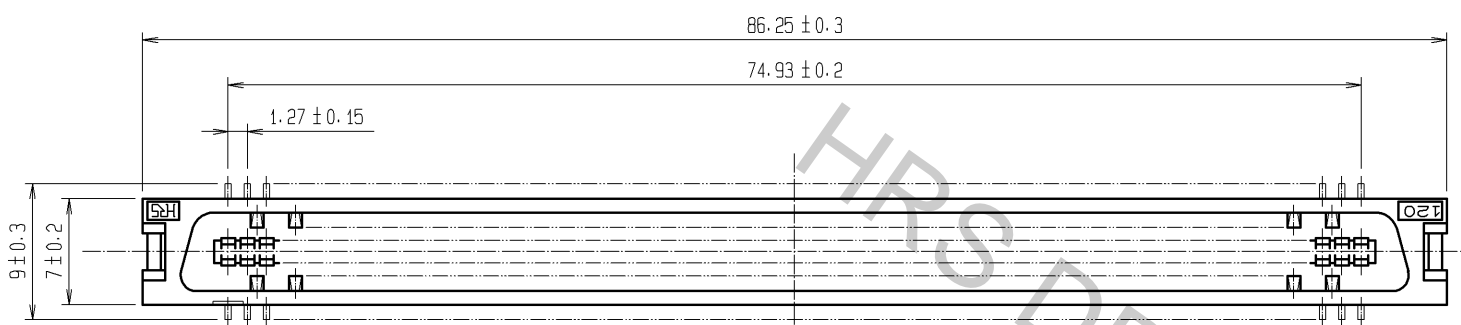


Apr.1.2017 Copyright 2017 HIROSE ELECTRIC CO., LTD. All Rights Reserved.



NOTES 1 LEAD CO-PLANARITY SHALL BE 0.15 MAX.
 2 THE DIMENSIONS IN PARENTHESES ARE FOR REFERENCE.
 3 IN CASE OF THE AUTOMATED MOUNTING, RECOMMENDED HOLE DIAMETER OF BOSS IS SHOWN IN FIG. 1.

1	PPS	LIGHT BROWN (UL94V-0)	2	PHOSPHOR BRONZE	CONTACT AREA: GOLD 0.2μm min. LEAD AREA: TIN-PLATING 2μm min. UNDER PLATING: NICKEL 2μm min.		
NO.	MATERIAL	FINISH . REMARKS	NO.	MATERIAL	FINISH . REMARKS		
UNITS mm		SCALE FREE	COUNT 	DESCRIPTION OF REVISIONS	DESIGNED	CHECKED	DATE
HRS HIROSE ELECTRIC CO., LTD.		APPROVED : HS. OKAWA	10.09.14	DRAWING NO.	EDC3-082412-21		
		CHECED : HT. YAMAGUCHI	10.09.13	PART NO.	FX2-120P-1.27SV(71)		
		DESIGNED : SY. KAMIGA	10.09.08	CODE NO.	CL572-2009-0-71		
		DRAWN : HK. SUNADORI	10.09.08				