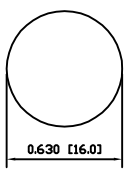
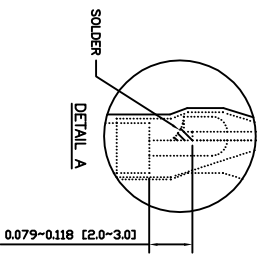
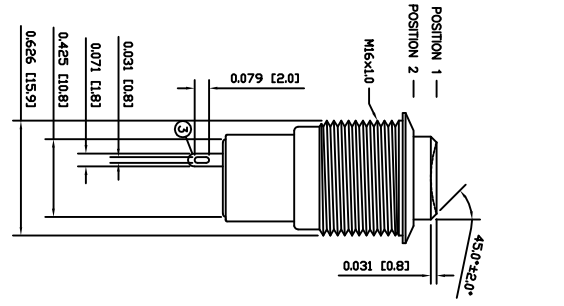
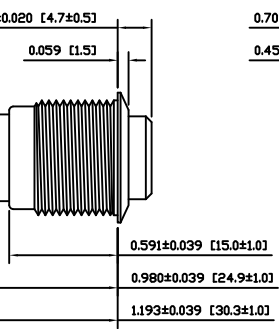
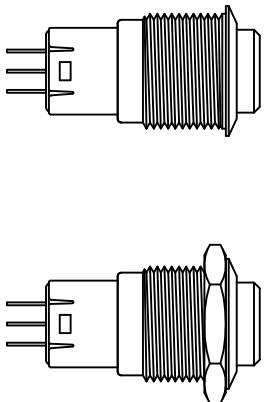


0.709 [18.0]
0.453 [11.5]



MAXIMUM PANEL THICKNESS: 0.315 [8.0mm]



SUGGESTED PANEL CUTOUT

SCHEMATIC

SPECIFICATIONS

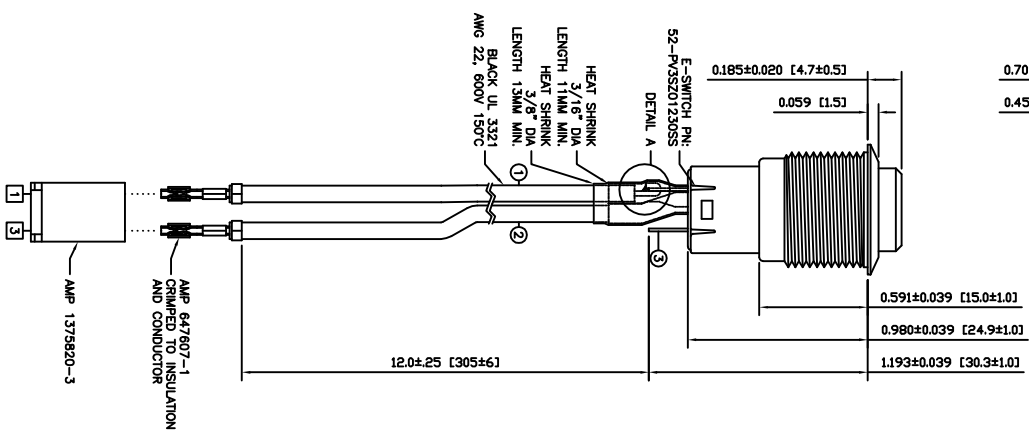
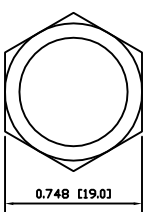
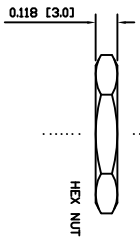
FUNCTION: 1P2T ON-ON
RATING: -003-SQF1-2000 (200901C07839);
NO. 24 4910C [NOI]
CONTACT RESISTANCE: Initial: 50mΩ Max. at 14, 120°C
1,500kΩ; Min. at 500VDC
INSULATION RESISTANCE: 1,500kΩ; Min. at 500VDC
DIELECTRIC STRENGTH: 2,000VAC Min. for 1 Minute
ELECTRICAL LIFE: 50,000 Cycles
MECHANICAL LIFE: 200,000 Cycles
TEMPERATURE: Operating: -25°C to 85°C
APPROVALS:
NOI COMPLIANT
ROHS

COLORS AND FINISH

BEZEL: Stainless Steel
Polished Finish
ACTUATOR: Stainless Steel
Polished Finish
ILLUMINATION: None
MARKING: None

MATERIALS

BUSING: Stainless Steel (304)
BASE: Polybutylene Terephthalate (PBT)
ACTUATOR: Stainless Steel (304)
Polycarbonate (PC)
INNER ASSEMBLY: Polyoxymethylene (POM)
Polycarbonate (PC)
Polybutylene Terephthalate (PBT)
Silver Plated Brass (H82)
Beryllium Copper
SPRING: Stainless Steel (304)
CONTACTS: Silver/Cadmium Oxide (AgCdO)
TERMINALS: Silver Plated Brass (H82)



REV.	DATE	BY	CHK	APP.
1	9/13/11	REL.		
2	09/07/10	CAB		
3	10/01/11	CAB		
4	09/12/23	CAB		

THE INFORMATION CONTAINED IN THIS DOCUMENT IS PROPRIETARY TO E-SWITCH AND IS NOT TO BE COPIED OR TRANSMITTED IN ANY FORM OR BY ANY MEANS, ELECTRONIC OR MECHANICAL, INCLUDING PHOTOCOPYING, RECORDING, OR BY ANY INFORMATION STORAGE AND RETRIEVAL SYSTEM.

REV.	DATE	BY	CHK	APP.
1	9/13/11	REL.		
2	09/07/10	CAB		
3	10/01/11	CAB		
4	09/12/23	CAB		

REV.	DATE	BY	CHK	APP.
1	9/13/11	REL.		
2	09/07/10	CAB		
3	10/01/11	CAB		
4	09/12/23	CAB		

INCHES [MILLIMETERS]
GENERAL TOLERANCES ±0.008 [±0.2] / ±1°
SCALE DRAWING NOT TO SCALE
PROJECTION FIRST ANGLE
DRAWING NUMBER 52-PV3SZ012130SS
DATE JUNE 23, 2011
REVISION B

